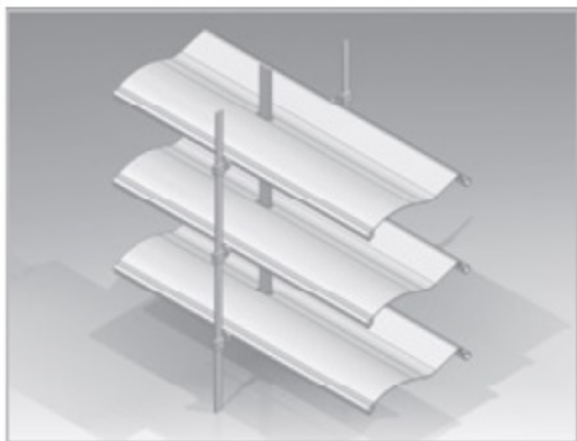


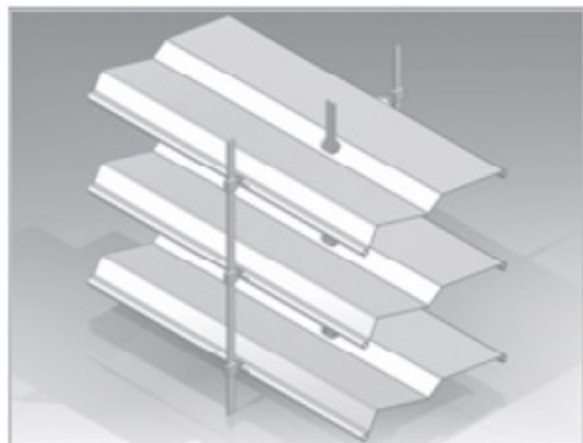
Lamela F 80



Lamela S 70



Lamela Z 90



Lamela C 65, C 80

